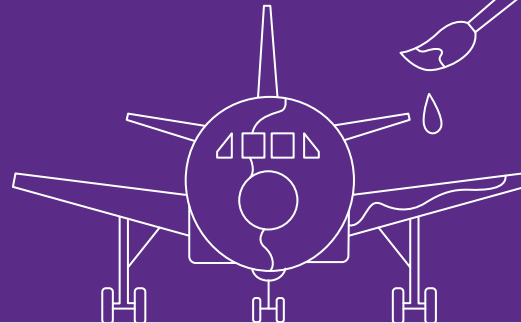
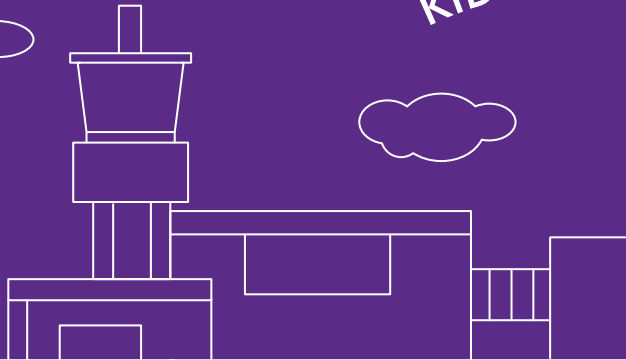


The Alpha-Zulu of Aviation English

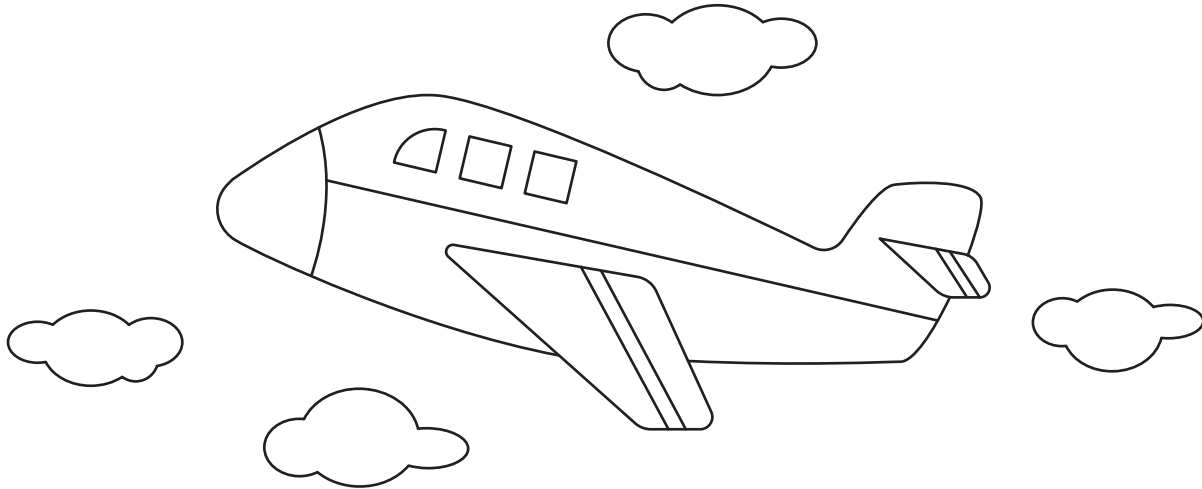
KIDS EDITION!



MagneticMRO

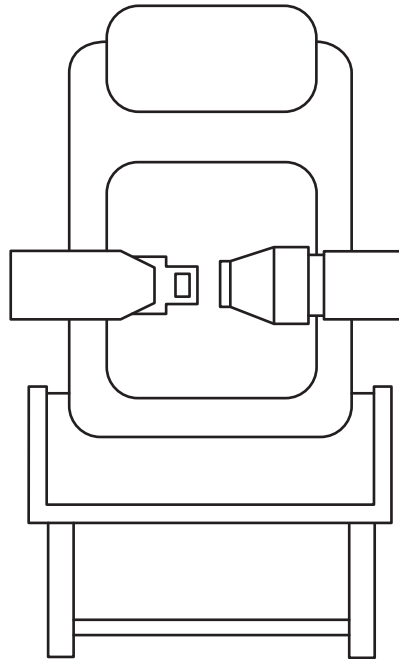
A

LFA /AL FAH/



AIRPLANE - a machine that can fly.

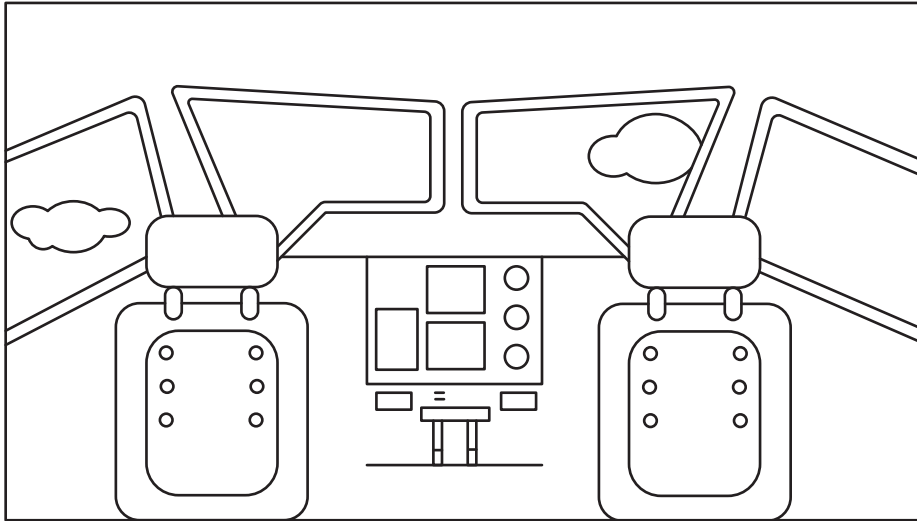
B **RAVO** /BRAH VOH/



BELT - for passengers who misbehave.

C

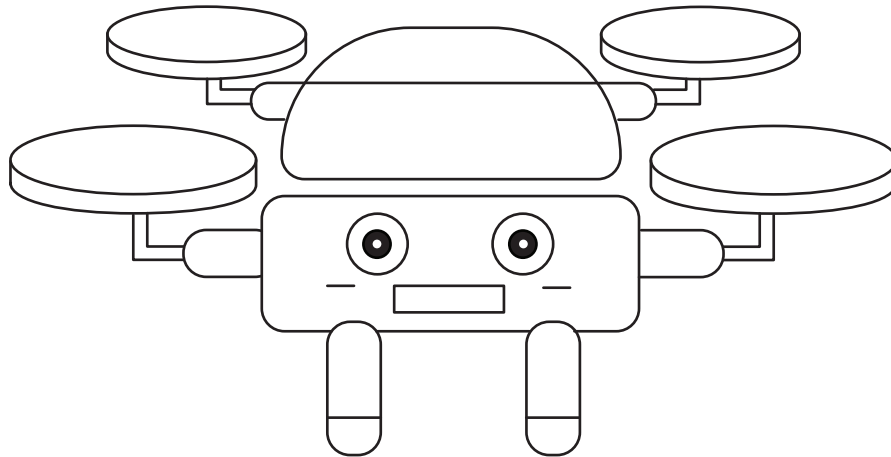
HARLIE /CHAR LEE/



COCKPIT - a tiny room from which a large airplane is piloted.

D

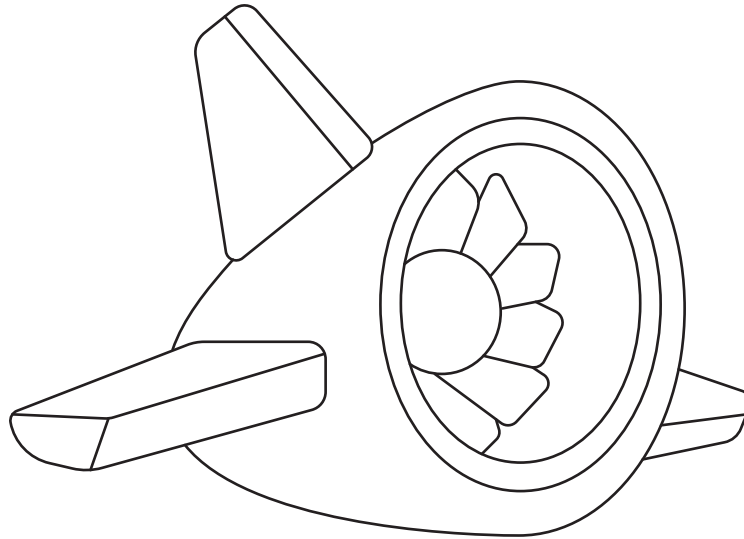
ELTA /DELL TAH/



DRONE - a machine that is piloted remotely.

E

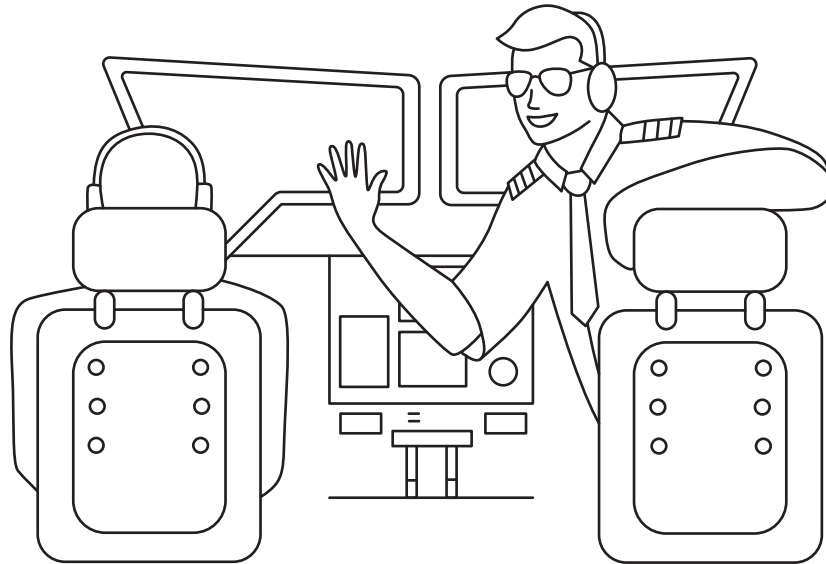
CHO /ECK OH/



ENGINE - if pilots were magicians, engines would be their magic wands.

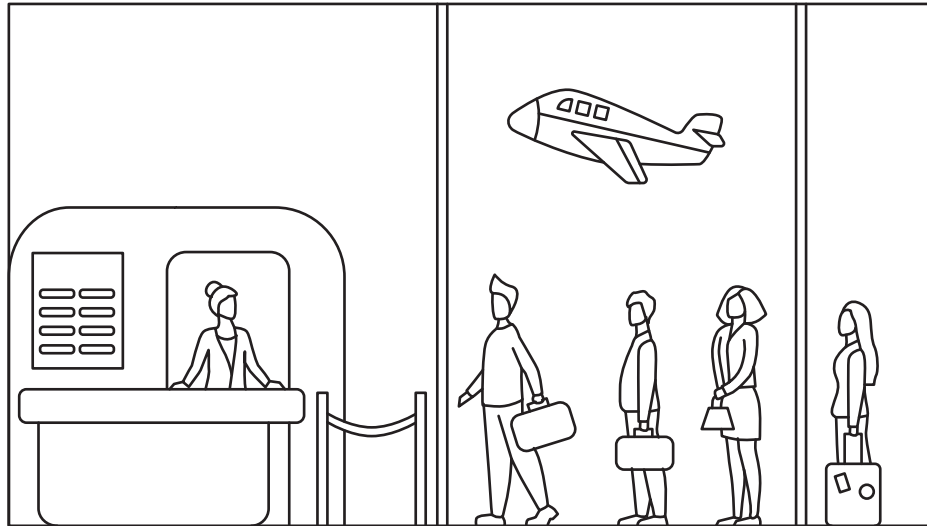
F

OXTROT /FOKS TROT/



FIRST OFFICER - the Vice President of a plane.

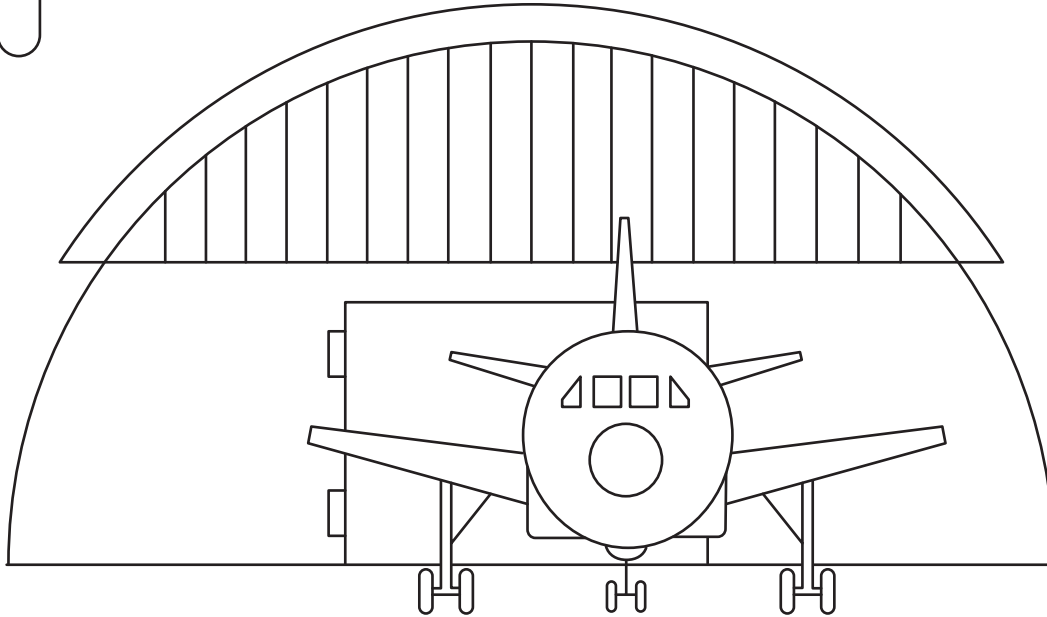
GOLF /GOLF/



GATE - a place in an airport where people always stand in a queue without any particular need.

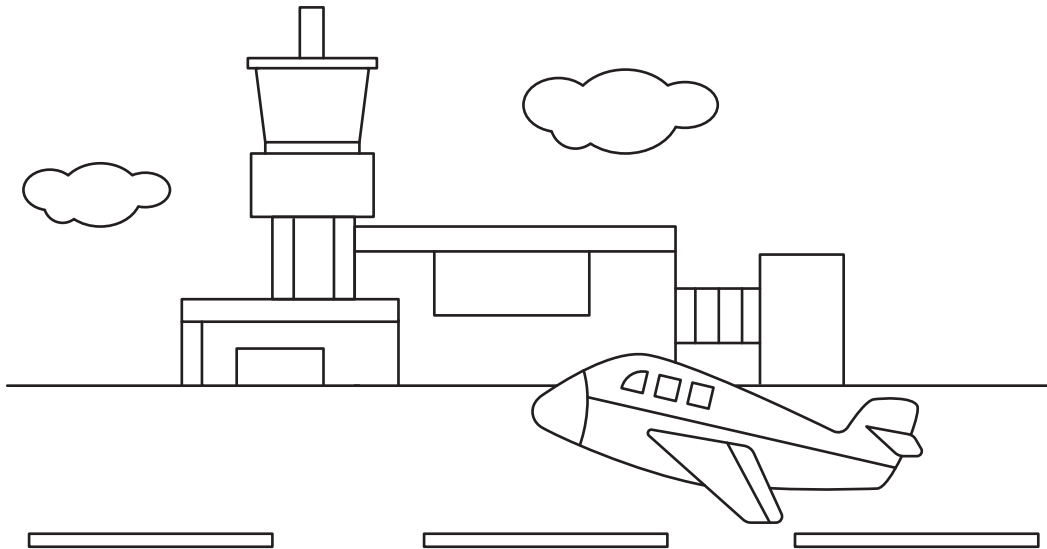
H

OTEL /HO TELL/



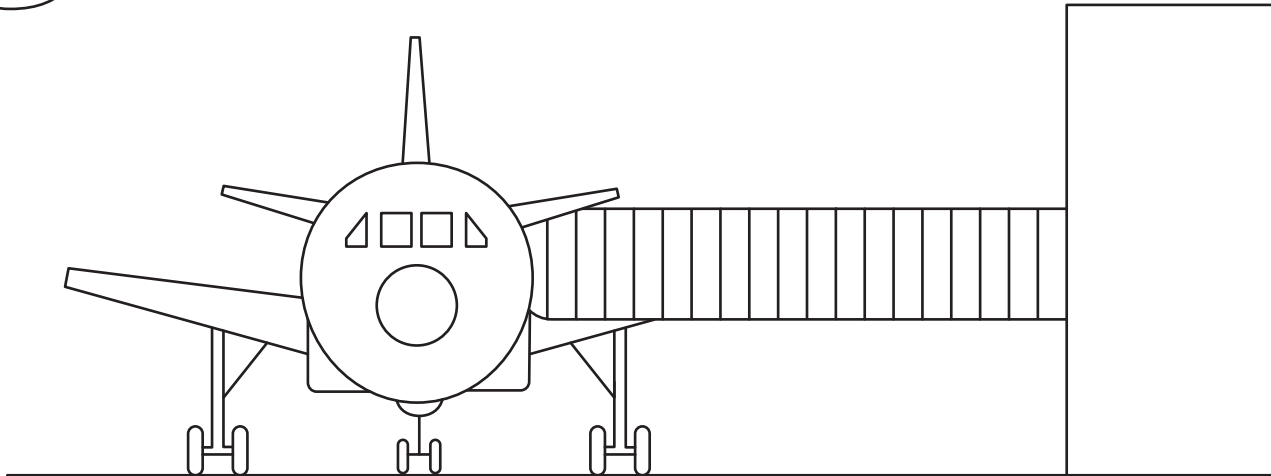
HANGAR – a SPA center where planes rest and recover after many journeys around the world.

NDIA /IN DEE AH/



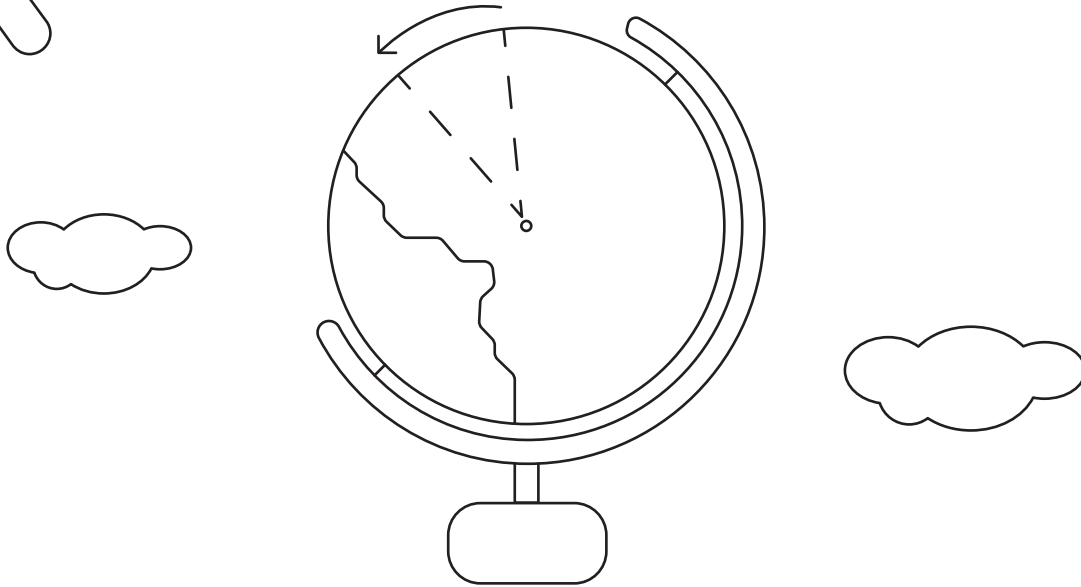
INTERNATIONAL AIRPORT - like a train station, but for airplanes.

JULIETT /JEW LEE ETT/



JET BRIDGE - the best way to board a plane.

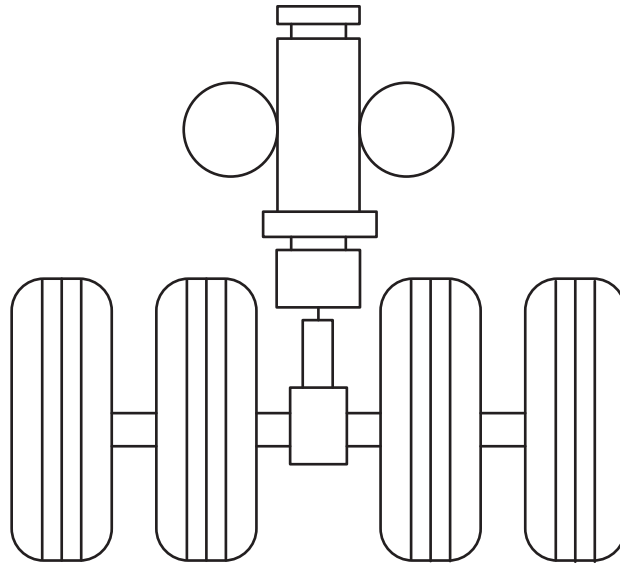
K **ILO** /KEY LOH/



KNOT - the speed of a plane based on how many nautical miles (that's 1/60 of a degree of latitude) it can fly in one hour.



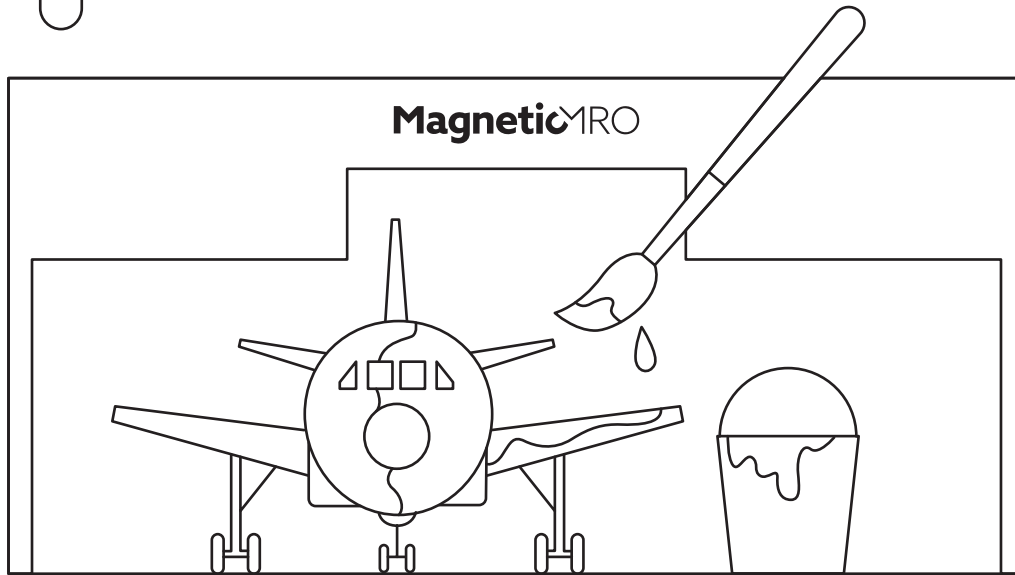
IMA /LEE MAH/



LANDING GEAR - the legs on which planes stand (and land).

M

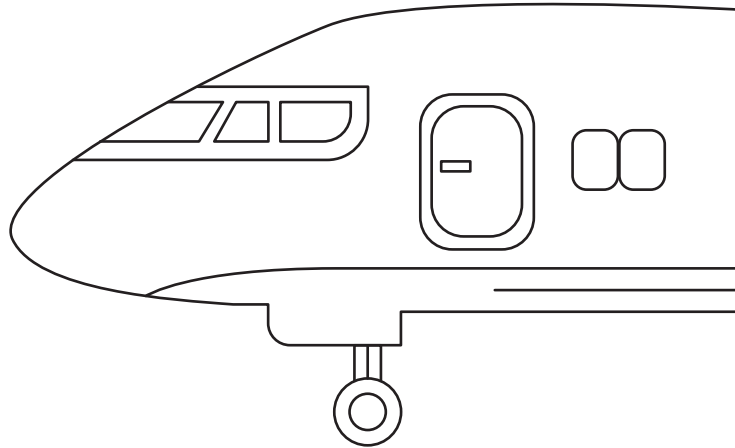
IKE /MIKE/



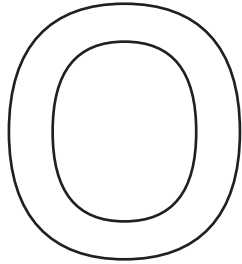
MAGNETIC PAINTING - a magical place where painters color planes.

N

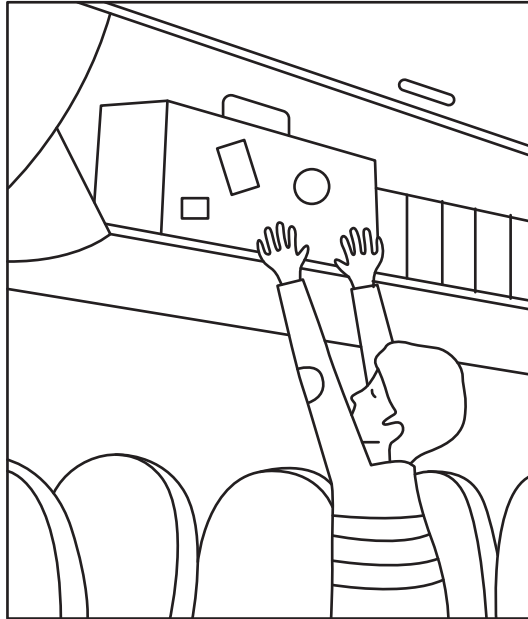
NOVEMBER /NO VEM BER/



NOSE CONE - the nose part of a plane which helps it fly smoother and sniff for changes in weather conditions.



SCAR /oss CAH/



OVERHEAD BIN - a closet above passenger seats to keep luggage.

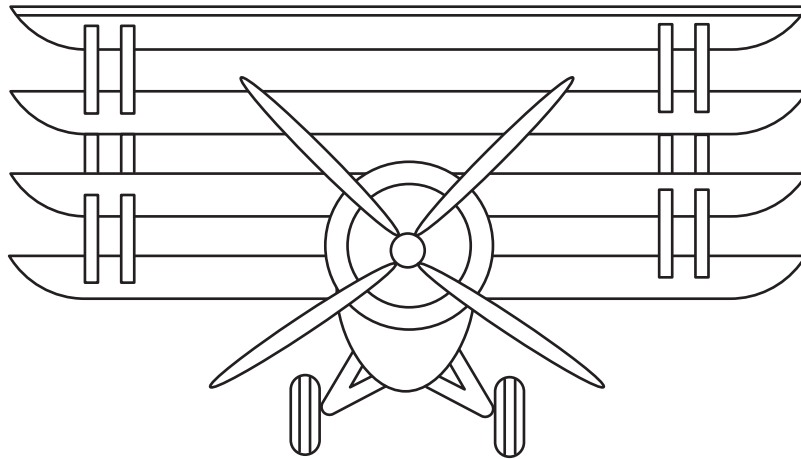
P **APA** /PAH PAH/



PILOT-IN-COMMAND - the person on a plane who is basically in charge of everything.

Q

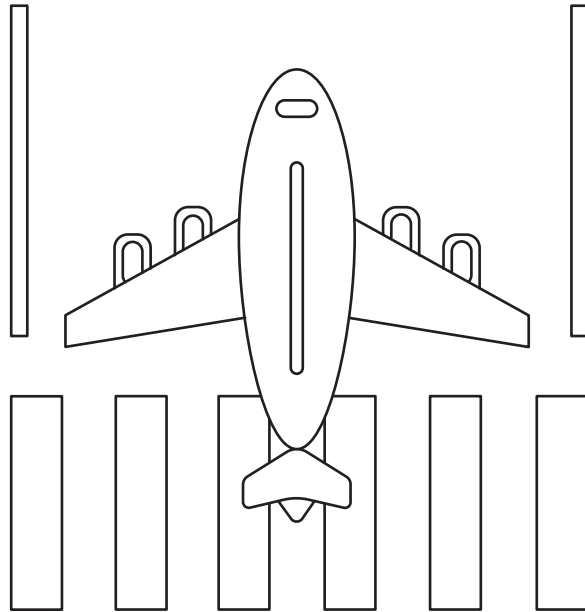
UEBEC /KEH BECK/



QUADRUPLANE - a plane with four wings that some people tried to fly at the beginning of the 20th century.

R

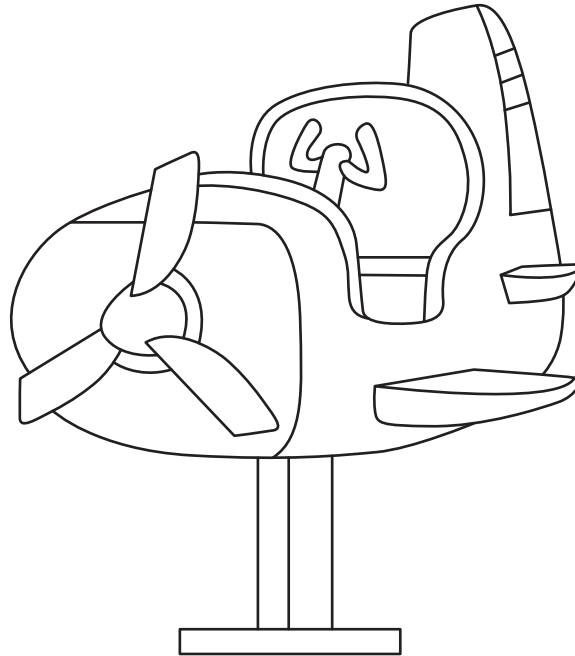
OMEEO /ROW ME OH/



RUNWAY - a short highway for planes to land and take off.

S

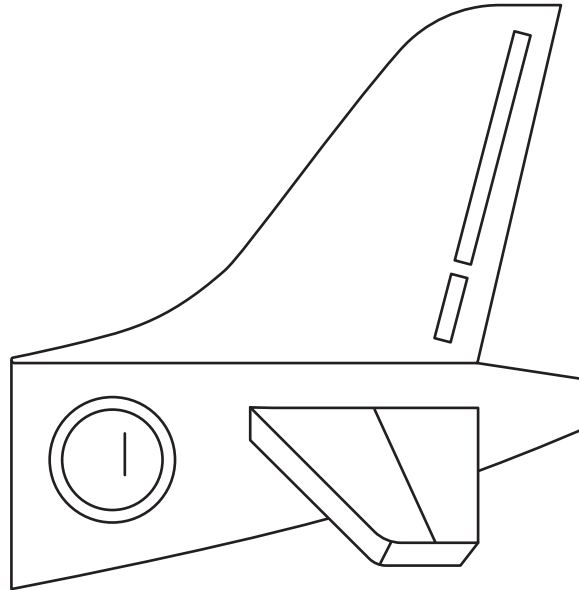
IERRA /SEE AIR RAH/



SIMULATOR - a very expensive toy for grown-up people to learn how to pilot a plane.

T

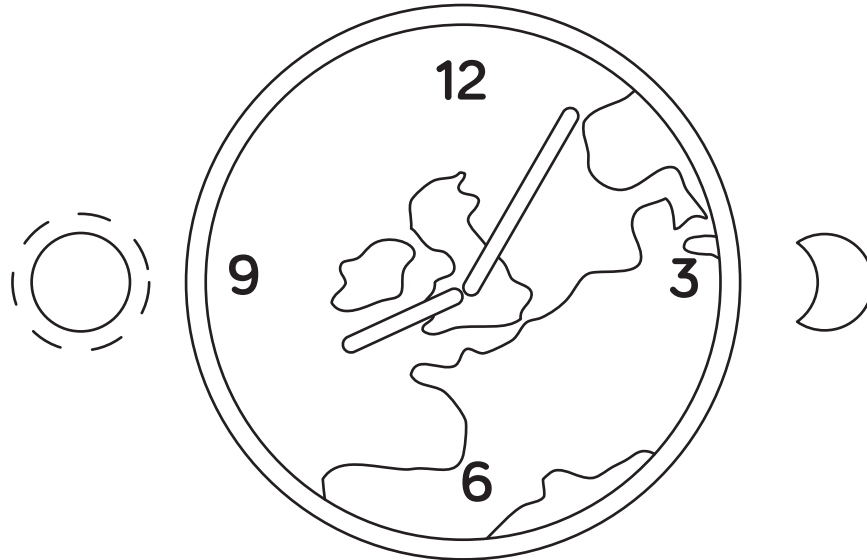
ANGO /TANG GO/



TAIL - a part of a plane that provides stability during flight, like feathers on an arrow.

U

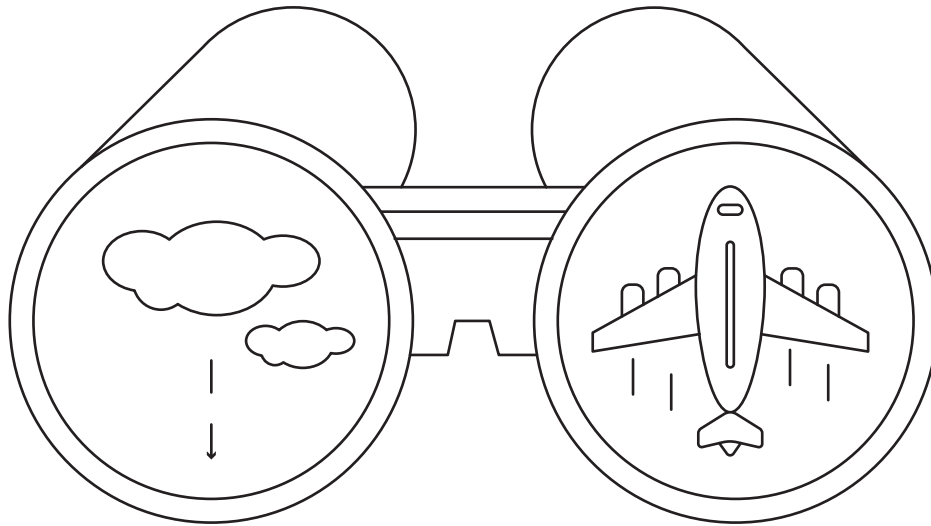
NIFORM /YOU NEE FORM/



UNIVERSAL TIME COORDINATED (UTC) - basically, the time at the Royal Observatory in Greenwich, London which is used to set time zones across the world.

V

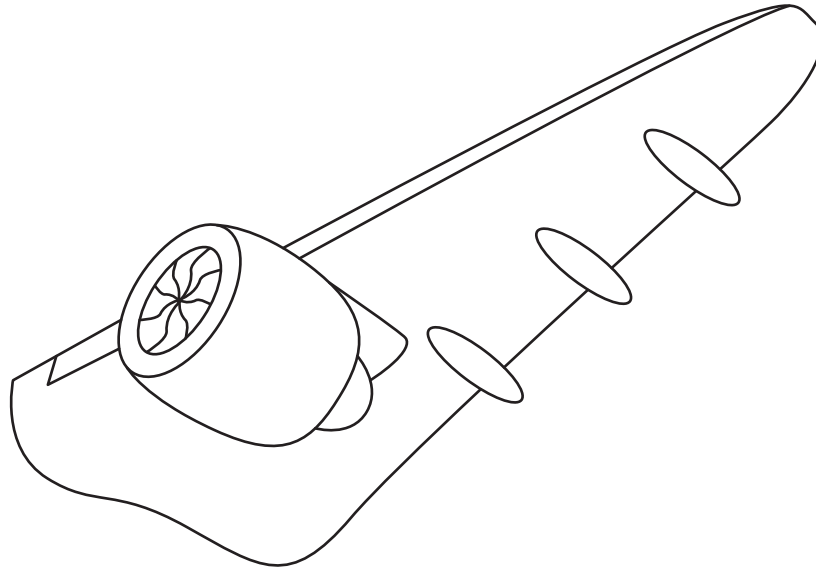
ICTOR /VIK TAH/



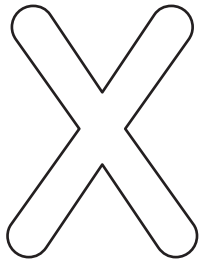
VISUAL FLIGHT RULES (VFR) - rules under which a plane is operated on a "see and be seen" principle.

W

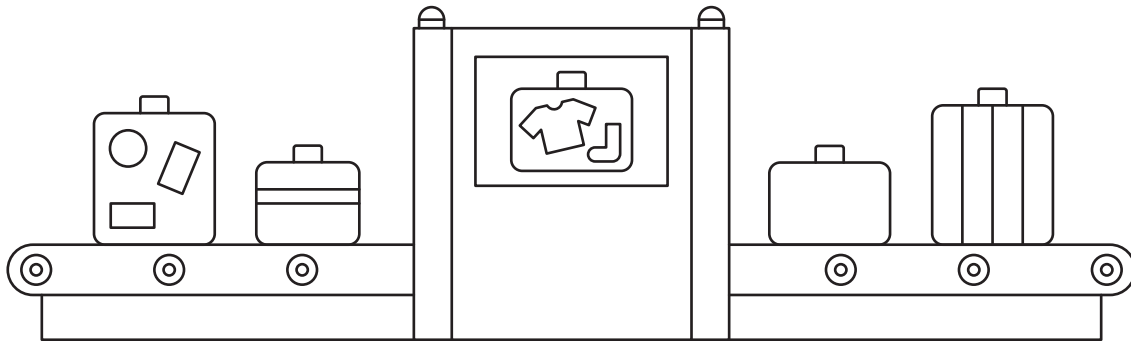
HISKEY /WISS KEY/



WING - like a wing of a beard, just bigger and made of metals.



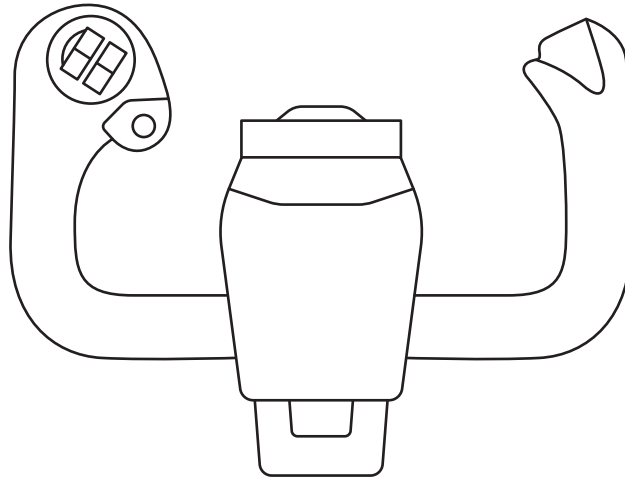
-RAY /ECKS REI/



X-RAY SCANNER – just to make sure you don't bring anything dangerous to the airport.

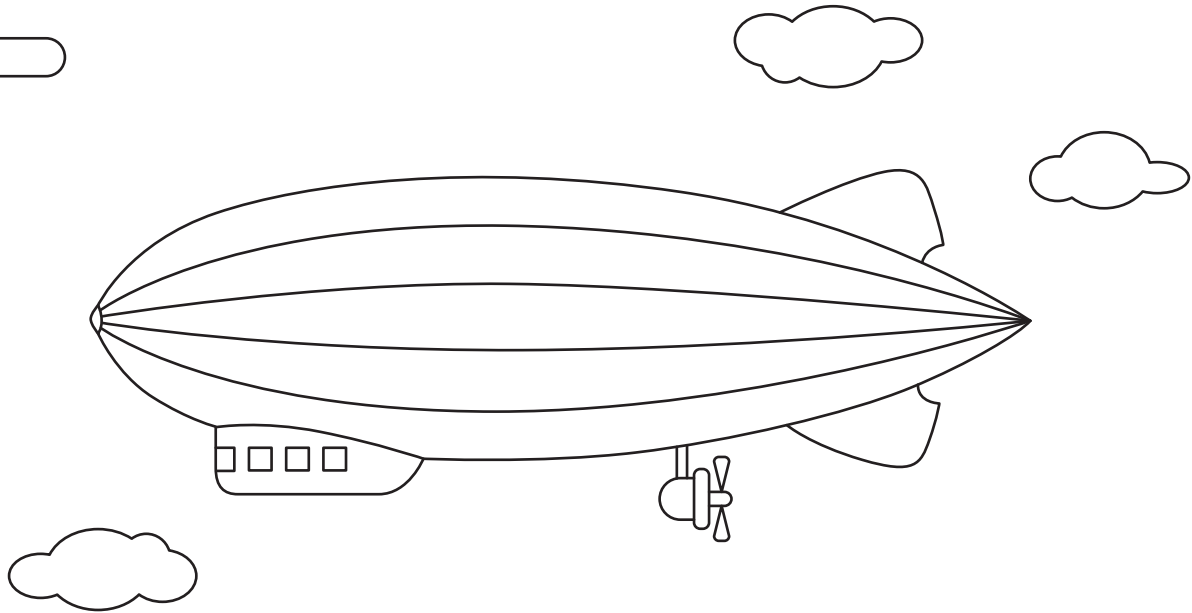
Y

ANKEE /YANG KEY/



YOKE - a pilot's gamepad to control the plane.

Z **ULU** /zoo LOO/



ZEPPELIN - a large dirigible airship of the early 20th century; they also cook zeppelins in Lithuania.

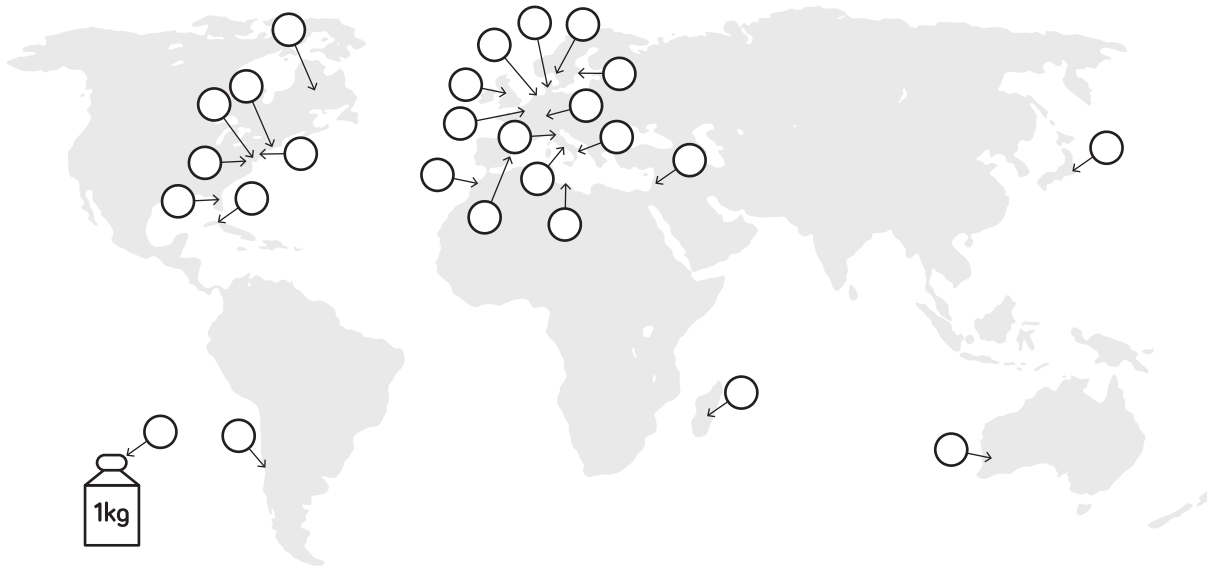
Spell your name in aviation alphabet



- A ALFA
- B BRAVO
- C CHARLIE
- D DELTA
- E ECHO
- F FOXTROT
- G GOLF
- H HOTEL
- I INDIA
- J JULIETT
- K KILO
- L LIMA
- M MIKE
- N NOVEMBER
- O OSCAR
- P PAPA
- Q QUEBEC
- R ROMEO
- S SIERRA
- T TANGO
- U UNIFORM
- V VICTOR
- W WHISKEY
- X X-RAY
- Y YANKEE
- Z ZULU

Old-days aviation alphabet map

Fill in all the circles over cities and countries with alphabetic letters which correspond to the city's/country's name.



- A** AMSTERDAM
- B** BALTIMORE
- C** CASABLANCA
- D** DANEMARK
- E** EDISON
- F** FLORIDA
- G** GALLIPOLI
- H** HAVANA
- I** ITALIA
- J** JERUSALEM
- K** KILOGRAMME
- L** LIVERPOOL
- M** MADAGASCAR
- N** NEW YORK
- O** OSLO
- P** PARIS
- Q** QUEBEC
- R** ROMA
- S** SANTIAGO
- T** TRIPOLI
- U** UPSALA
- V** VALENCIA
- W** WASHINGTON
- X** XANTHIPPE
- Y** YOKOHAMA
- Z** ZURICH



WWW.MAGNETICMRO.COM



MagneticMRO

MACAEROINTERIORS

Magnetic | ENGINES

DirectMaintenance

EngineSTANDS24

Magnetic LEASING